

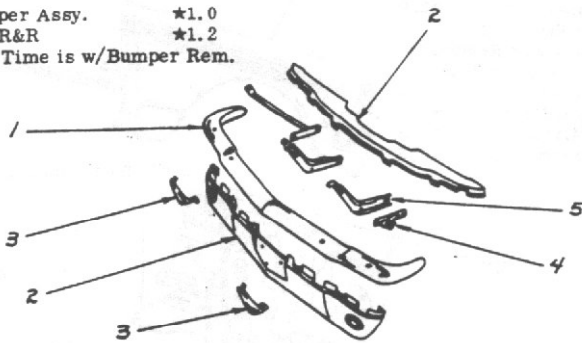
FEBRUARY 1, 1968

FORD

MUSTANG 64-66

FRONT BUMPER

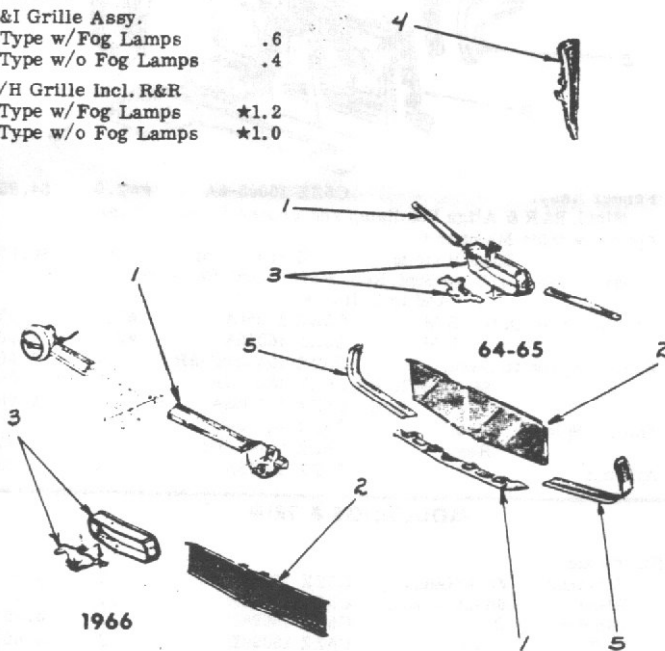
R&R Bumper Assy. ★1.0
O/H Incl. R&R ★1.2
Deflector Time is w/Bumper Rem.



1. Bar, Face		C5ZZ 17757A	1.2	33.65
2. Deflector, Stone, Upper		C5ZZ 17779A	★★.7	9.70
	Lower	C5ZZ 17A939A	★★.6	9.70
		(#Both ★.8)		
3. Guard	R/H	C5ZZ 17996C	.3	5.50
	L/H	C5ZZ 17997B	.3	5.50
4. Arm, Outer		C5ZZ 17A869-70A		.55
	To Fender	C5ZZ 17A975-6A		2.15
	To Inner Arm	C5ZZ 17766-7A		3.15
5. Arm, Inner		C5ZZ 17B794A		.75
	To Bumper Guard			

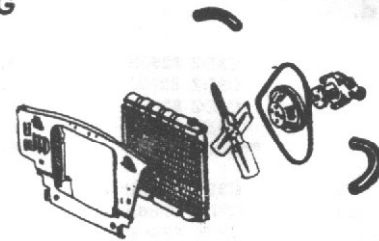
GRILLE

R&I Grille Assy.
Type w/Fog Lamps .6
Type w/o Fog Lamps .4
O/H Grille Incl. R&R
Type w/Fog Lamps ★1.2
Type w/o Fog Lamps ★1.0



1. Bar, Grille Face				
	1965 Lower	C5ZZ 8390F	★.5	9.30
	Center, Exc.	C5ZZ 8390B-C	★.2	5.80
	w/Fog Lamps	C5ZZ 8390D-E	★.2	5.80
	1966 Lower	C5ZZ 8390F	★.5	9.30
	Center w/Fog Lamps.	C6ZZ 8390A-B	★.2	6.20
2. Screen, Grille				
	1965 w/o Fog Lamps	C5ZZ 8200C	.4	14.50
	w/Fog Lamps	C5ZZ 8200D	.4	14.50
	1966	C6ZZ 8200A	#	17.15
		(#.4 exc. G.T. .6)		
3. Ornament				
	1965	C5ZZ 8213A	★.3	14.80
	1966 w/o Fog Lamps	C6ZZ 8213A	★.3	12.20
	w/Fog Lamps	C6ZZ 8213B	★.5	14.80
4. Brace, Hood Latch		C5ZZ 16747A	★.3	1.75
5. Moulding Assembly				
	1965-66	C5ZZ 8242-3A	★★.5	4.35
	1966 Center Cover	C6ZZ 8221A		.75
		(#Both ★.6)		

COOLING



Radiator				
	1965 6 Cyl.	C5ZZ 8005C	#.7	50.60
	V8	C3DZ 8005K	#.7	50.60
	1966 6 Cyl.	C5ZZ 8005C	#.7	50.60
	V8, exc.	C3DZ 8005K	.7	50.60
	w/A.C.	C6ZZ 8005B	.9	55.55
		(#w/A.C. .9)		
Support, Radiator		C5ZZ 16138A	★★3.5	11.95
		(#Time is w/Bumper, Grille, Stone Deflector, Headlamps and One Fender Removed.)		
Fan Blade				
	1965-66 6 Cyl. 170	C2UZ 8600A	#.4	4.00
	200, exc.	C2DZ 8600D	#.4	4.00
	w/A.C.	C5ZZ 8600B	#.4	11.60
	1965 V8, exc.	C2OA 8600B	#.4	4.30
	Special	C3OZ 8600C	#.4	11.95
	w/A.C., Gen.	C3OZ 8600D	#.4	11.60
	w/A.C., Alt.	C4OZ *600C	#.4	11.60
	w/A.C., Dealer	C3DZ 8600E	#.4	11.60
	1966 V8 Special	C3OZ 8600C	#.4	11.95
	Standard	*C5AZ 8600A	#.6	14.40
	w/A.C.	**C6OZ 8600A	#.4	4.30
		*C4OZ 8600D	#.6	11.60
		**C4OZ 8600C	#.4	11.60
		(#R&R w/Radiator Removed .2)		
Fan Belt, Std. Cooling				
	1965 6 Cyl.	C3DZ 8620B	#	1.60
	V8	C2OZ 8620L	#	2.70
	1966 6 Cyl.	*C6OZ 8620E	#	3.00
		**C3UZ 8620A	#	2.40
	V8, exc.	C4TZ 8620K	#	2.55
	Special	**C5OZ 8620A	#	2.35
		(#One Belt .2, Two Belts .3, Three Belts .4)		
Water Pump				
	1965 6 Cyl.	C6DZ 8501A	#1.0	14.15
	V8 w/Gen.	C5AZ 8501K	#1.0	16.00
	w/Alt.			
	Before Chg.#8	C5AZ 8501K	#1.0	16.00
	From Chg.#8	C5AZ 8501L	#1.0	18.45
	Spec. w/Gen.	C3OZ 8501B	#1.0	15.40
	Spec. w/Alt.			
	Before Chg.#8	C5OZ 8501A	#1.0	16.00
	From Chg.#8	C5OZ 8501B Disc.	#1.0	15.40
	1966 6 Cyl.	*C6DZ 8501A	#1.2	14.15
		**C6DZ 8501A	#1.0	14.15
	V8, exc.	*C5AZ 8501L	#1.2	18.45
		**C5AZ 8501E	#1.0	18.45
	Special	C5OZ 8501B Disc.	#1.0	15.40
		(#Add for A.C. - 6 Cyl. .2, 8 Cyl. .5)		
Pulley, Water Pump				
	1965 6 Cyl. 170 Std.	C0DE 8509A	#.5	2.00
	w/A.C.	C4DZ 8509B	#.5	6.45
	w/P.S.	C4DZ 8509A	#.5	2.75
	200 Std.	C3OZ 8509B	#.5	2.00
	w/A.C.	C5DZ 8509A	#.5	3.75
	w/P.S.	C5DZ 8509K	#.5	2.40
	V8 w/Gen., exc.	C2OZ 8509A	#.5	2.00
	w/A.C.	C2OZ 8509B	#.5	13.60
	w/Alt., exc.	C5AZ 8509J	#.5	1.95
	w/A.C.	C6AZ 8509A	#.5	3.75
	1966 6 Cyl. Standard	*C5AZ 8509K	#.7	2.55
		**C0DE 8509A	#.5	2.00
	w/A.C.	*C5DZ 8509A	#.7	3.75
		**C5DZ 8509A	#.5	3.75
	w/P.S.			
	Dealer	**C5AZ 8509K	#.5	2.55
	Factory	**C4DZ 8509A	#.5	2.90
	V8, exc.	*C6AZ 8509E	#.7	4.65
		**C5AZ 8509J	#.5	1.95
	w/A.C.	*C6AZ 8509F	#.7	4.65
		**C6AZ 8509A	#.5	3.75
		(#Incl. R&R Fan w/Radiator Rem. .2)		

Cont'd.

MUSTANG 64-66

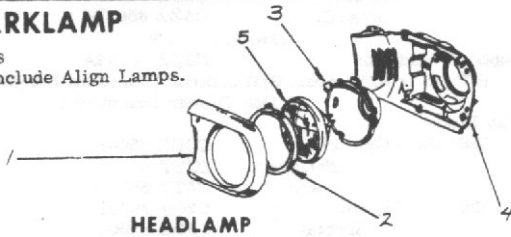
FORD

COOLING, Cont'd.

Hose, Upper					
1965	6 Cyl.	C3DZ 8260H	#.4	1.70	
	V8	C3DZ 8260J	#.4	2.60	
1966	6 Cyl.	C6DZ 8260A	#.4	1.50	
	V8	*C3DZ 8260J	#.4	2.60	
		**C3DZ 8260J	#.4	2.60	
Hose, Lower					
1965	6 Cyl. 170	C3DZ 8286H	#.5	2.55	
	200	C3DZ 8286H	#.5	2.55	
	V8 w/Gen.	C3DZ 8286F	#.5	2.30	
	w/Alt.	C5ZZ 8286A	#.5	2.30	
1966	6 Cyl.	C3DZ 8286H	#.5	2.55	
	V8, exc.	C5ZZ 8286A	#.5	2.30	
	w/A.C.	C6ZZ 8286A	#.5	2.55	
	(#R&R Both .7, or w/Rad. Rem. .1 Each)			2.45	
(*w/Smog Control System - **w/o Smog Control System)					

HEAD & PARKLAMP

Align Headlamps
R&R Does Not Include Align Lamps.



HEADLAMP

Lamp Assembly*	C5ZZ 13008C-D	*.4	15.35
(*Less Sealed Beam and Wire)			
1. Door*	C5ZZ 13064-B-A	.2	4.90
2. Ring, Retaining	11A 13015A		1.20
3. Ring, Adjusting	C5ZZ 13118A		2.85
4. Body (Serviced in Assembly Only)			
5. Sealed Beam	C0DZ 13007A	.2	1.90

PARKLAMP

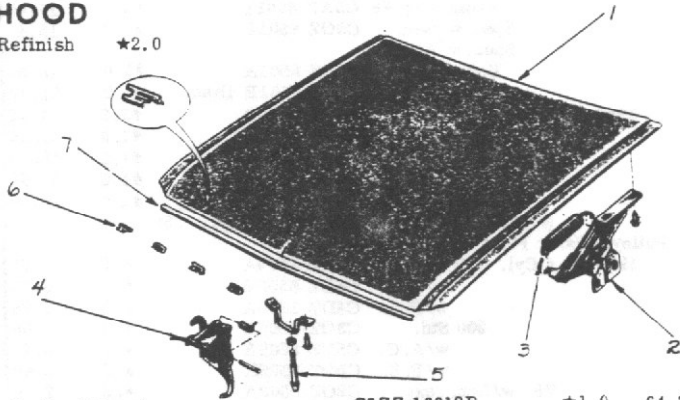
Retainer	C5ZZ 13220-1B		.70
Body Assy.	C5ZZ 13206-7B	.4	5.15
Lens, Amber	C5ZZ 13208A		1.00

FOGLAMP

Lamp Assy.	C5ZZ 15200B	.4	13.65
Wire Assy.	C6ZZ 15A211A		1.25
Door	C5ZZ 15214A		2.55

HOOD

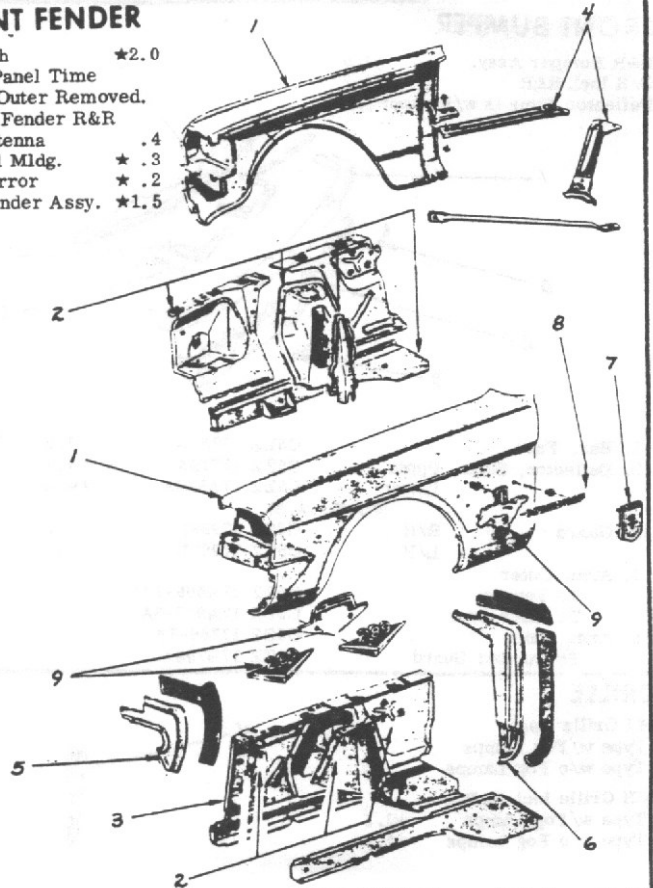
Refinish *2.0



1. Hood Panel	C5ZZ 16612B	*1.0	64.35
2. Hinge, Less Spring	C3OZ 16796-7A	#	5.65
(#.4 exc. w/Hood removed *.2)			
3. Spring, Hood	C3OZ 16789A	.2	1.70
4. Latch, Hood	C5ZZ 16700A	.3	3.60
	C6ZZ 16700B	.3	3.60
Support, Latch	C4DZ 16707B	*.2	1.45
1965	C6ZZ 16707A	*.2	1.55
1966	C5ZZ 16929A	*.2	.60
5. Dowel	C5ZZ 16747A	*.3	1.75
Brace, Support			
6. Letters	"F"	C4OZ 6240282A	# .90
	"O"	C4OZ 6240282B	# .90
	"R"	C4OZ 6240282C	# .90
	"D"	C4OZ 6240282D	# .90
(#One .2, All *.3)			
7. Moulding, Lower Front	C5ZZ 16856A	.3	3.20

FRONT FENDER

Refinish *2.0
Inner Panel Time
is w/Outer Removed.
Add to Fender R&R
w/Antenna .4
w/Sill Mldg. *.3
w/Mirror *.2
R&I Fender Assy. *1.5



1. Fender Assy.	C5ZZ 16005-6A	#*2.0	54.85
(#Incl. R&R & Align Headlamp and Loosen Front Bumper)			
2. Apron, w/Side Member & Susp. Housing	C5ZZ 16054C-5B	#	46.00
(#*9.0, exc. w/Core Supt. Rem. *8.0. Incl. R&I Knee. Add to O/H Knee *2.3)			
3. Apron, Front Only	R/H C5ZZ 16054A	*3.0	7.35
	L/H C5ZZ 16055A	*3.0	4.00
4. Brace, Apron to Dash, exc.	C5ZZ 16A052C-3B		1.40
	66 Conv. R/H C6ZZ 16A052A		2.05
	L/H C6ZZ 16A053A		2.05
5. Shield, Splash	Front C5ZZ 16102-3A		.80
	Rear C5ZZ 16102-3B		1.85
6. Antenna	C5ZZ 18813A	.4	4.90

MOULDINGS & TRIM

7. Nameplate			
"Mustang"	65 w/Gen.	C5ZZ 16098A	.2 1.20
"Mustang"	65-66 w/Alt.	C5ZZ 16098B	.2 3.15
"Mustang 2 + 2"		C5ZZ 16098C	.2 3.15
"G T"	Ceramic	C5ZZ 16098D	.2 4.60
"G T"	Plastic	C6OZ 16098B	.2 4.60
8. Letters	"M"	C5ZZ 16098E	# .80
	"U"	C5ZZ 16098F	# .80
	"S"	C5ZZ 16098G	# .80
	"T"	C5ZZ 16098H	# .80
	"A"	C5ZZ 16098J	# .80
	"N"	C5ZZ 16098K	# .80
	"G"	C5ZZ 16098L	# .80
(#One .2, All *.3)			
9. Ornament			
Running Mustang	R/H	C5ZZ 16229A	.2 2.20
	L/H	C5ZZ 16228A	.2 2.20
"289"	Silver	C3OZ 16228B	.2 2.20
"260"	Painted	C4DZ 16228C	.2 3.30
"High Performance"		C5ZZ 16228B	.2 3.30
Kit, Accent Stripe			
Fender, Door & Quarter Lower			
Black		C5ZZ 6520000A	** .5 6.20
White		C5ZZ 6520000B	** .5 6.20
Red		C5ZZ 6520000C	** .5 6.20
Blue		C5ZZ 6520000D	** .5 6.20
(#*1.0 All Panels)			

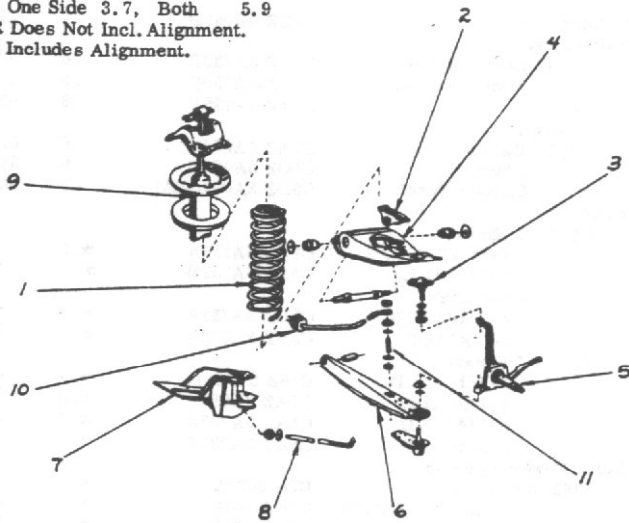
FEBRUARY 1, 1968

FORD

MUSTANG 64-66

FRONT SUSPENSION

Check & Adjust
Caster, Camber & Toe-In 1.5
Toe-In Only .5
O/H One Side 3.7, Both 5.9
R&R Does Not Incl. Alignment.
O/H Includes Alignment.



1. Spring, Coil (Identify by Color)				
Pink	C5ZZ 5310A	#	9.45	
Green	C5ZZ 5310B	#	9.45	
Gray	C5ZZ 5310C	#	9.45	
Violet	C5ZZ 5310D	#	9.45	
Brown	C5ZZ 5310E	#	9.45	
Red	C5ZZ 5310F	#	9.45	
	(#64 - 1.1 65, 66 - 1.3)			
2. Seat & Bushing	C4DZ 3388A	#	6.90	
3. Joint Assy., Upper Arm	C3DZ 3049A	#	11.10	
	(#64 - .9 65, 66 - 1.3)			
4. Arm, Upper w/Joint	C4DZ 3082B	#	20.15	
	(#64 - 1.1 65, 66 - 1.4)			
5. Spindle Assy.				
6 Cyl.	C3DZ 3105-6A	#	30.55	
V8	C5ZZ 3105-6D	#	30.55	
	(#1.2, exc. w/Disc Brakes 1.3)			
6. Arm, Lower w/Joint	C4DZ 3078A	#	12.40	
	(#64 - 1.0 65, 66 - 1.2)			
7. Bracket, Lwr. Strut Mtg.	C5ZZ 3486-7A	#	10.70	
8. Strut, Lower Arm				
	C5ZZ 3468B	#	3.45	
	(#64 - .7 65, 66 - .9)			
9. Shock Absorber				
6 Cyl.	C5ZZ 18124B	.3	10.30	
V8, exc.	C5ZZ 18124B	.3	10.30	
289 Special	C5ZZ 18124C	.3	10.30	
10. Bar, Stabilizer, exc.	C5ZZ 5482B	*1.0	11.35	
V8 Special	C5ZZ 5482A	*1.0	11.65	
11. Link Set, Stabilizer	C0DZ 5A486B	.5	1.45	
Hub & Drum Assy.				
6 Cyl.	C1DZ 1102B	.6	17.55	
V8	C3OZ 1102B	.6	17.55	
Disc Brakes Incl. Rotor	C5ZZ 1102A	.6	18.80	
Caliper Assy.	C5ZZ 2B120-1C	.8	43.35	
Shield, Splash Rotor	C5ZZ 2K004-5A		2.55	
Cone & Roller Assy., Inner				
6 Cyl.	C0DD 1201A	#	2.28	
V8 also w/Disc Brakes	B5A 1201A	#	2.50	
Cone & Roller Assy., Outer				
6 Cyl.	C0DD 1216A	#	1.65	
V8	B5A 1216A	#	1.74	
Seal, Grease				
6 Cyl.	C1DZ 1190A	#	.90	
V8, exc.	B5AZ 1190A	#	1.10	
Disc Brakes	C5ZZ 1190A	#	.60	
(#R&R Brgs. & or Seals .6, exc. w/Disc Brakes .8)				
Plate, Brake Backing				
6 Cyl. Before 8-17-64	C4DZ 2012-3B	*1.2	9.10	
R/H From 8-17-64	C5DZ 2012B	*1.2	9.10	
L/H From 8-17-64	C5DZ 2013B	*1.2	9.10	
V8	C3OZ 2012-3B	*1.2	9.10	
Hose, Brake, exc.	C5ZZ 2078B	#	2.10	
Disc Brake	C5ZZ 2078A	#	2.10	
	(#One .6, Each Additional .2, Includes Bleed)			

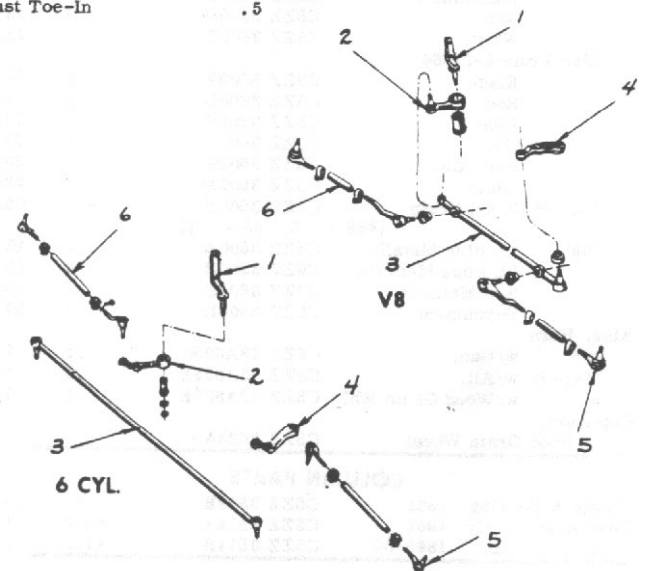
WHEEL

Refinish Wheel *.5

Wheel				
6 Cyl.	13" x 4.50"	C0DZ 1007A	*.3	5.65
	14" x 4.50"	C4DZ 1007A	*.3	7.25
V8	13" x 4.50"	C2OZ 1007B	*.3	5.65
	14" x 5.00"	C4GY 1007B	*.3	7.25
	15" x 5.50"	C1AZ 1007A	*.3	7.25
Chrome	14" x 5.00"			
Cavities Painted Grey		C5ZZ 1007A	*.3	32.80
Cavities Painted Grey Gold		C5ZZ 1007B	*.3	32.80
Wheel Cover				
13" Wire		C4OZ 1130H		14.20
Stamped "Mustang"				
Before 8-17-64		C5ZZ 1130A		5.75
From 8-17 to 10-26-64		C5ZZ 1130K		5.75
From 10-26-64		C5ZZ 1130P		5.75
Stamped "Mustang", w/Spinner				
Before 8-17-64		C5ZZ 1130B		8.10
From 8-17 to 10-26-64		C5ZZ 1130M		8.10
From 10-26-64		C5ZZ 1130S		8.10
14" Wire		C4AZ 1130H		16.50
Sim. Wire, w/Spinner				
Except		C4AZ 1130L		16.50
1966		C5OZ 1130B		20.30
Stamped "Mustang"				
Before 8-17-64		C5ZZ 1130C		5.75
From 8-17 to 10-26-64		C5ZZ 1130J		5.75
From 10-26-64		C5ZZ 1130N		5.75
Stamped "Mustang", w/Spinner				
Before 8-17-64		C5ZZ 1130D		8.10
From 8-17 to 10-26-64		C5ZZ 1130L		8.10
From 10-26-64		C5ZZ 1130R		8.10
Standard 1966		C6ZZ 1130A		5.75
w/Spinner 1966		C6ZZ 1130B		8.10
15" w/Spinner, Stainless Stl.		C3AZ 1130Z		8.85
2-1/4" Imprinted "Ford Mustang"				
1965		C5ZZ 1130G		2.45
1966		C5ZZ 1130W		2.70

STEERING LINKAGE

R&R (exc. where noted) Does Not Incl. Adjust Toe-In.
Adjust Toe-In .5



1. Bracket, Idler Arm	C3DZ 3351A		2.50
2. Kit, Idler Arm w/Bushings			
6 Cyl. w/o P.S.	C3DZ 3352L	.8	4.30
w/P.S.	C4DZ 3352B	.8	9.20
V8 w/o P.S.	C5ZZ 3352A	.8	6.40
w/P.S.	C5ZZ 3352B	.8	8.75

Cont'd.

STEERING LINKAGE, Cont'd.

3. Rod Assy., Drag Link				
6 Cyl. w/o P.S.	C5ZZ 3304E	.7	9.35	
w/P.S.	C5ZZ 3304B	.7	9.35	
V8 w/o P.S.	C5ZZ 3304C	.8	9.75	
w/P.S.	C5ZZ 3304D	.8	15.60	
4. Arm, Pitman				
6 Cyl. w/o P.S.	C0DD 3590B	.4	6.45	
w/P.S.	C4DZ 3590A	.4	6.65	
V8 All	C5ZZ 3590A	.4	6.45	
5. End, Tie Rod Inner				
6 Cyl.w/o P.S.	C3DZ 3A130L	#	3.90	
w/P.S.	R/H C4DZ 3A130D	#	5.10	
	L/H C4DZ 3A131C	#	4.65	
V8 w/o P.S.	C5ZZ 3A131D	#	4.65	
w/P.S.	R/H C5ZZ 3A131D	#	4.65	
	L/H C5ZZ 3A131C	#	4.65	
Outer				
6 Cyl.w/o P.S.	C3DZ 3A130K	#	3.90	
w/P.S.	R/H C4DZ 3A130C	#	5.10	
Before 6-10-64	L/H C4DZ 3A131B	#	4.65	
From 6-10-64	L/H C4DZ 3A131D	#	5.10	
V8 w/o P.S.	C5ZZ 3A130D	#	3.90	
w/P.S.	C5ZZ 3A130D-C	#	3.90	
(#One .8, Each Additional .2, All 1.1, Incl. Adjust Toe-In.)				
6. Sleeve, Adjusting				
6 Cyl. All	C1MM 3310A		2.95	
V8 w/o P.S.	C1MM 3310A		2.95	
w/P.S.	C2VY 3310A		2.15	

STEERING GEAR, Cont'd.

POWER STEERING PARTS

Cylinder Assy.	C3DZ 3A540B	.5	31.50
Valve Assy.			
6 Cyl. Before 4-9-64	C3DZ 3A730B	.6	50.60
From 4-9-64	C5DZ 3A730C	.6	61.50
V8	C5ZZ 3A730B	.6	65.00
Pump Assy.			
6 Cyl. Eaton	C2AZ 3A674B	.6	60.40
V8 Eaton	C5OZ 3A674B	.6	37.15
Slipper Type	C5DZ 3A674CRM	.6	34.40
Pulley			
6 Cyl. 1 Sheave			
4-7/16" O.D.	C2OZ 3A733A	*.5	4.00
4-7/8" O.D.	C5AZ 3A733B	*.5	3.25
Deep Dish			
4-7/16" O.D.	C3DZ 3A733A	*.5	8.60
4-7/8" O.D.	C5DZ 3A733A	*.5	3.25
V8 1 Sheave			
4-7/16" O.D.	C1SE 3A733B	*.5	4.00
4-7/8" O.D.	C5AZ 3A733C	*.5	3.25
5-1/4" O.D.	C5AZ 3A733A	*.5	3.25
5-3/4" O.D.	C5AZ 3A733F	*.5	3.25
Belt, Power Steering			
1965 6 Cyl.170	B7Q 8620A	#	3.00
200 Ford Pump	C3DZ 8620A	#	2.75
200 Eaton Pump	C2TZ 8620G	#	3.00
V8 w/Gen.	C3OZ 8620A	#	3.15
w/Alt. w/o A.C.	C5AZ 8620K	#	3.40
w/A.C.	C5AZ 8620L	#	3.70
Eaton Pump	C3OZ 8620A	#	3.15
1966 6 Cyl. w/o A.C.	*C6OZ 8620A	#	2.70
w/A.C.	*C6OZ 8620A	#	2.70
Factory Inst.	**C6OZ 8620A	#	2.70
Dealer Inst.	**C3DZ 8620A	#	2.75
V8 w/o A.C.	*C5AZ 8620L	#	2.70
w/A.C.	*C6OZ 8620B	#	2.70
w/o A.C. Factory	**C5AZ 8620K	#	3.40
Dealer	**C2OZ 8620B	#	3.15
w/A.C. Factory	**C6OZ 8620B	#	2.70
Dealer	**C5AZ 8620P	#	2.85
(#One Belt .2, Two .3, Three .4)			
(*w/Smog Control System - ** w/o Smog Control System.)			
Hose, Pressure			
6 Cyl.			
1965, exc.	C5ZZ 3A719C	.6	7.80
Eaton Pump	C5DZ 3A719D	.6	8.55
1965-66 From 8-17-64	C5DZ 3A719A	.6	8.55
V8			
1965 w/o A.C.	C5ZZ 3A719A	.6	7.80
w/A.C.	C5ZZ 3A719B	.6	8.55
Eaton Pump	C5ZZ 3A719E	.6	8.55
From 8-17-64	C5ZZ 3A719D	.6	6.60
Hose, Return			
6 Cyl.			
1965, exc.	C5ZZ 3A713C	.4	3.40
Eaton Pump	C5DZ 3A713C	.4	3.40
1965-66 From 8-17-64	C5DZ 3A713A	.4	3.40
V8			
1965 w/o A.C.	C5ZZ 3A713A	.4	3.10
w/A.C.	C5ZZ 3A713B	.4	4.70
Eaton Pump	C5ZZ 3A713E	.4	3.40
1965-66 From 8-17-64	C5ZZ 3A713D	.4	3.10

STEERING GEAR

Steering Gear	6 Cyl.	8 Cyl.		
Adjust	.6	.6		
R&R	1.0	1.4		
O/H Incl. R&R	1.9	2.3		
Steering Wheel				
1965 Before 8-17-64				
Black	C5ZZ 3600A	.3	23.30	
Medium Blue	C5ZZ 3600B	.3	23.30	
Palomino	C5ZZ 3600C	.3	23.30	
Red	C5ZZ 3600D	.3	23.30	
White	C5ZZ 3600E	.3	23.30	
1965 From 8-17-64				
Black	C5ZZ 3600F	.3	22.65	
Red	C5ZZ 3600G	.3	23.30	
Blue	C5ZZ 3600H	.3	22.65	
Gold	C5ZZ 3600J	.3	23.30	
Palomino	C5ZZ 3600K	.3	23.30	
White	C5ZZ 3600M	.3	22.65	
1965-66 Wood Grain	C5ZZ 3600N	#	65.65	
	(#65 - .3, 66 - .4)			
1966 Lt. Blue Metallic	C6ZZ 3600A	.4	22.65	
Lt. Aqua Metallic	C6ZZ 3600B	.4	23.30	
Red Metallic	C6ZZ 3600C	.4	23.30	
Parchment	C6ZZ 3600D	.4	22.65	
Ring, Horn				
1965 w/Gen.	C5ZZ 13A805C	.2	7.10	
1965-66 w/Alt.	C5ZZ 13A805B	.2	7.10	
w/Wood Grain Whl.	C5ZZ 13A805E	.2	7.10	
Cap Assy.				
w/Wood Grain Wheel	C5ZZ 3623A		4.50	

COLUMN PARTS

Flange & Bearing 1965	C5ZZ 3509B		32.80
Tube Assy. Early 1965	C5ZZ 3514A	*1.2	16.00
Late 1965-66	C5ZZ 3514B	*1.2	11.85
GEAR PARTS			
Rack & Shaft			
19.88 to 1 Ratio	C5ZZ 3524A	O/H	19.00
16 to 1 Ratio	C5ZZ 3524B	O/H	22.00
Sector Shaft	C3DZ 3575F	O/H	15.70
Gear Assy.			
19.88 to 1 Ratio	C5ZZ 3504A		68.00
17 to 1 Ratio	C5ZZ 3504C		83.80
Housing, Gear			
1" Shaft	C3DZ 3548E	O/H	19.55
1-1/8" Shaft	C3DZ 3548D	O/H	24.30

FRAME

Crossmembers			
Front	C5ZZ 6510018A	#	10.65
	(**2.3 w/Radiator Support Removed.)		
Rear	C5ZZ 7610780B	#	6.15
	(**2.0 w/Bumper Removed.)		
Member Assy., Side			
Front, Outer	C5ZZ 6510218-9A	#	9.05
	(**5.0 w/Fender & Front Sheet Metal Rem., Incl. R&I Knee, Add *2.3 to O/H Knee)		
Rear, Outer	C5ZZ 6510124-5B	#	35.30
	(**6.0 w/Outer Sheet Metal and Bolted Parts Rem.)		
Front Floor	C5ZZ 7610962A		9.45
Floor Side, Inner	C5ZZ 7610116-7A		8.95

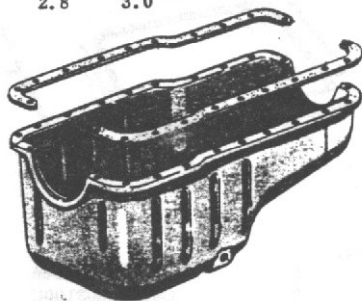
Cont'd.

FORD

FEBRUARY 1, 1968

ENGINE

R&I Engine Assy.	Std. Trans.	A. T.
6 Cyl.	2.1	2.5
8 Cyl.	2.8	3.0



6 CYL.

Pulley, w/Damper				
1 Sheave, exc.	C2OZ 6A312A	#.5	12.25	
5-55/64" dia.	C2DZ 6312A	#.5	7.95	
5-29/32" dia.	C2DZ 6A312A	#.5	7.75	
(#Add .1 w/P.S. or A.C.)				
Insulator, Motor Support				
Front, exc.	C2DZ 6038B-C	.4	2.60	
Conv.	C3DZ 6038A-B	.4	2.95	
Rear 1965	3 S. T. C5ZZ 6068B	.5	2.55	
	4 S. T. & A. T. C5ZZ 6068A	.5	2.55	
1966	3 S. T. C6ZZ 6068A	.5	2.80	
	4 S. T. & A. T. C5ZZ 6068A	.5	2.55	
Oil Pan	C4DZ 6675B	1.3	14.60	
Cover, Timing Case				
170 Eng.	C3DZ 6019A	#1.9	6.15	
200 Eng.	C3DZ 6019B	#1.9	6.15	
(#Incl. R&I Oil Pan & Fr. Seal - Add for Belt Driven P.S. .1, Add for Smog Control System .1)				
Oil Seal, Cover	C0DE 6700A	#	1.25	
(#Use Timing Cover Time.)				

V8

Pulley, Crankshaft				
1 Sheave 6-1/8" dia.	C2OZ 6312A	#.6	2.90	
6-23/64" dia.	C5AZ 6312B	#.6	2.90	
2 Sheave	*C5AZ 6312C	#.6	4.65	
3 Sheave	C2OZ 6312B	#.6	11.05	
	*C5OZ 6312A	#.6	8.70	
4 Sheave	C3AZ 6312A	#.6	22.15	
(*Includes Damper) (#Add .1 w/P.S. or A.C.)				
Insulator, Motor Support				
Front 1965, exc.	C3AZ 6038G-H	.4	2.95	
Conv.	C4DZ 6038A-B	.4	3.25	
Special	C5ZZ 6038A	.4	2.95	
1966 H. T. & Fastback				
Before 11-1-65	C3AZ 6038G-H	.4	2.95	
From 11-1-65	C6OZ 6038C	.4	3.50	
Convertible				
Before 11-1-65	C4DZ 6038A-B	.4	3.25	
From 11-1-65	C6OZ 6038D	.4	4.85	
Special - H. T. & Fastback				
Before 11-1-65	C5ZZ 6038A	.4	2.95	
From 11-1-65	C6OZ 6038C	.4	3.50	
Special - Convertible				
Before 11-1-65	C5ZZ 6038A	.4	2.95	
From 11-1-65	C6OZ 6038D	.4	4.85	
Rear 1965, exc.	C5ZZ 6068B	.5	2.55	
Special	C5ZZ 6068A	.5	2.55	
Special 4 S. T.	C5ZZ 6068C	.5	2.80	
1966, exc.	N.A.	.5	N.A.	
Special	C5ZZ 6068C	.5	2.80	
Oil Pan, exc.				
Finned Aluminum	C5AZ 6675B	1.5	14.40	
	C4OZ 6675A	1.5	78.35	
Cover, Timing Case Exc.				
Aluminum	C4AZ 6019B	#2.4	20.70	
	C5OZ 6019A	#2.4	20.70	
(#Incl. R&I Oil Pan & Fr. Seal - Add for Belt Driven P.S. .1, Add for Smog Control System .1)				
Oil Seal, Cover	C3AZ 6700A	#	1.25	
(#Use Timing Cover Time.)				

EXHAUST

Manifold, Exhaust				
6 Cyl.	C3OZ 9430A	1.0	12.10	
V8 1965	R/H C3AZ 9430H	#	17.30	
	L/H C3AZ 9431H	#	17.30	
1966	C3AZ 9430-1H	#	17.30	
Special 1965-66	R/H C5ZZ 9430A	#	17.30	
	L/H C3OZ 9431A	#	17.30	
(#Exc. 289 4V Hi. Perf. - Rt. .8, Lt. .7; 289 4V Hi. Perf. 1.2)				
Pump Assy., Smog Control System				
6 Cyl.	C6AZ 9A486F	.4	54.45	
V8	C6AZ 9A486D	.4	54.45	
Pulley, Pump				
6 Cyl. w/o A. C.	C6TZ 9B447B	.4	1.50	
w/A. C.	C6TZ 9B447A	.4	1.50	
V8 w/o A. C.	C6OZ 9B447A	.4	1.50	
w/Fordaire	C6ZZ 9B447A	.4	2.15	
w/Selectaire	C6AZ 9B447C	.4	2.15	
Bracket, Pump Mounting				
6 Cyl.	C6DZ 9B450B		7.30	
V8	C6OZ 9B450B		10.85	
Arm, Belt Adjust				
6 Cyl.	C6DZ 9B452A		.55	
V8, exc.	C6AZ 9B452A		.70	
Special	C6OZ 9B452A		.70	
Cleaner Assy.				
Filter	C6AZ 9A492C		11.50	
	C6AZ 9A496A		1.95	
Manifold Assy., Exh. Air Supply				
6 Cyl. Front	C6DZ 9B445A		6.90	
Rear	C6DZ 9B445B		2.95	
V8	C6OZ 9B445A-B		3.85	

64-65

Pipe, Inlet Extension				
V8 260 & 289	C5ZZ 5A212G	#.2	13.70	
Special	R/H C5ZZ 5A212E	#.2	15.10	
	L/H C5ZZ 5A213B	#.2	15.10	
(#w/Exhaust Pipe Removed.)				
Pipe, Exhaust				
V8 260	C5ZZ 5246D	.5	9.70	
289	C5ZZ 5246B	.6	11.25	
Special	C5ZZ 5246F	.6	11.25	
GT	C5ZZ 5246K	.6	20.95	
	C5ZZ 5246J	.6	19.05	
Muffler				
6 Cyl.	C5ZZ 5230B	.4	15.10	
V8 260 & 289	C5ZZ 5230T	.4	16.30	
V8 Special				
Before 10-15-64	C5ZZ 5230C	.4	18.70	
From 10-15-64 to 3-30-65	C5ZZ 5230N	.4	48.35	
From 3-30-65	C6ZZ 5230E-F	.4	29.60	
GT - Before 3-30-65	C5ZZ 5230N	.4	48.35	
From 3-30-65	C6ZZ 5230E-F	.4	29.60	
Tail Pipe				
V8 Spec. Before 10-15-64	C5ZZ 5255A	★.3	4.90	
From 3-22-65	C5ZZ 5255F	★.3	2.15	
GT	C5ZZ 5255C-D	★.3	15.45	

1966

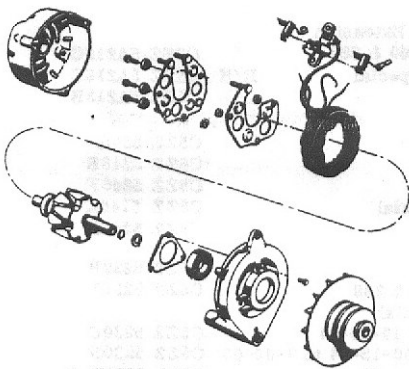
Pipe, Inlet Ext.				
V8 Std. 2/Bbl. Carb.	*C6ZZ 5A212A	#.2	20.80	
	**C5ZZ 5A212G	#.2	13.70	
(#w/Exhaust Pipe Removed.)				
Pipe, Exhaust				
6 Cyl.	*C6ZZ 5246A	.5	12.60	
	**C5ZZ 5246D	.5	9.70	
V8 Std. 2/Bbl. Carb.	*C6ZZ 5246C	.6	14.30	
	**C5ZZ 5246F	.6	11.25	
Special	*C6ZZ 5246D	.6	20.80	
	**C5ZZ 5246K	.6	20.95	
GT	*C6ZZ 5246B	.6	N.A.	
	**C5ZZ 5246J	.6	19.05	
Muffler				
6 Cyl.	*C6ZZ 5230B	.4	22.35	
	**C5ZZ 5230T	.4	16.30	
V8 Std. 2/Bbl. Carb.	*C6ZZ 5230A	.4	22.35	
	**C5ZZ 5230D	.4	16.30	
Special & GT	*C6ZZ 5230H-G	.4	34.90	
	**C6ZZ 5230E-F	.4	29.60	
Tail Pipe				
V8 Special	R/L C5ZZ 5255F	★.3	2.15	
GT	R/H C5ZZ 5255C	★.3	19.80	
	L/H C5ZZ 5255D	★.3	16.30	
(*w/Smog Control System - **w/o Smog Control System)				

ELECTRICAL

Horn Assy.	High	B8AZ 13832A	.3	5.85
	Low	B8AZ 13833A	.3	5.85

GENERATOR PARTS

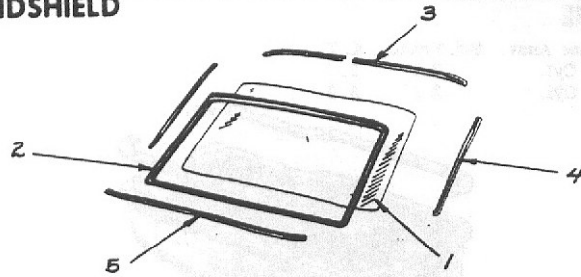
Generator Assy.	6 Cyl.	C1DZ 10002A	#	29.05
	V8	C1TZ 10002A	.3	29.05
(#.5, exc. w/A.C. .7)				
End Plate Front	6 Cyl.	C1DZ 10139A	#	3.45
	V8	B6A 10139B	#	2.50
End Plate Rear	All	C3AZ 10050A	#	6.40
	(#6 Cyl. .7, exc. w/A.C. 1.0; 8 Cyl. .6)			
Pulley 6 Cyl.		C2OZ 10130C	★.3	2.40
	V8, exc.	C2OF 10130A	★.3	2.40
Air Cond. Prem. Fuel		C2OZ 10130B	★.3	6.00
		C3OZ 10130B	★.3	10.70
Bracket, Mtg. 6 Cyl.		C1DE 10039A		.97
	V8	C2OZ 10151A		5.30
Voltage Regulator 6 Cyl., exc.		C3DZ 10505A	.6	12.55
	A.C.	C3TZ 10505B	.6	12.55
V8		C3TZ 10505B	.6	12.55
		7HA 12106	.3	3.70
Distributor Cap 6 Cyl.		7HA 12106	.3	3.70
	V8	B7A 12106A	.3	4.00



ALTERNATOR PARTS

Alternator Assy.	1965 35-42 Amp	C5DZ 10346B	#.4	55.40
	45 Amp	C5TZ 10346G	#.4	55.40
1966 38-42 Amp		C5DZ 10346B	#.4	55.40
	(#w/A.C., Add .2)			
Housing, Drive End		C5AZ 10333A	#	5.35
Housing, Bush End		C5AZ 10334C	#	3.50
(#O/H Incl. R&R 1.3, exc. w/A.C. 1.5)				
Pulley 6 Cyl.		C5AZ 10344G	★.3	2.90
	V8 1965 w/o A.C.	C5AZ 10344G	★.3	2.90
w/A.C.	Before 4-1-65	C5AZ 10344D	★.3	11.70
	From 4-1-65	C5AZ 10344J	★.3	11.70
1966 Single Sheave		C5AZ 10344G	★.3	2.90
	Double Sheave	C5AZ 10344J	★.3	11.70
Rotor 1965	38 Amp	C5DZ 10335B	#	13.85
	42-45 Amp			
Before 5-1-65		C5AZ 10335A	#	14.20
	From 5-1-65	C5AZ 10335D	#	13.85
1966		C5DZ 10335C	#	13.75
		C5AZ 10336A	#	9.50
(#O/H Incl. R&R 1.3, exc. w/A.C. 1.5)				
Voltage Regulator 1965		C3SZ 10316B	.4	13.10
	1966	C6AZ 10316A	.4	28.50
Distributor Cap 6 Cyl.		7HA 12106	.3	3.70
	V8	B7A 12106A	.3	4.00

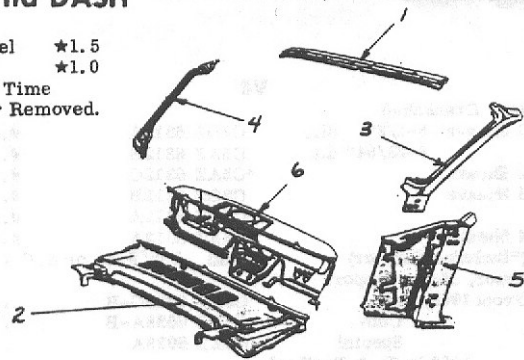
WINDSHIELD



1. Glass (Car Mfr.)	C	C6ZZ 6503100A	1.5	90.50
	T	C6ZZ 6503100C		105.70
Glass (Glass Co.)	C	W654	1.5	90.50
	T			105.70
2. Weatherstrip Moulding, Reveal		C5ZZ 6503110A		8.65
3. Top exc.		C5ZZ 6503144-5B	.2	3.10
	Conv.	C5ZZ 7603144-5A	.5	9.05
4. Side exc.		C5ZZ 6503136-7B	.3	2.80
	Conv.	C5ZZ 7603136C	.5	7.05
5. Lower	R/H	C5ZZ 6503137C (Disc.)	.5	6.25
	L/H	C5ZZ 6503148B	#	5.25
(#H.T. & Fastback .4, Convertible .7)				
Arm, Wiper Before 5-3-65		C5ZZ 17526A		3.55
	From 5-3-65	C5ZZ 17526C		3.55
Wiper Blade Trico	Before 5-3-65	C3AZ 17528A		2.70
	From 5-3-65	C3AZ 17528G		2.70
Anco		C3AZ 17528G		2.70

COWL and DASH

Refinish
Upper Panel ★1.5
Pillar ★1.0
Inner Panel Time
is w/Outer Removed.



1. Panel Assy., W/Shield Header H.T. & Fastback		C5ZZ 6503408A	★2.0	15.00
	Convertible	C5ZZ 7603408A	★2.0	15.00
2. Panel Assy., Cowl Top		C5ZZ 6502010B	★★16.5	36.45
	(#Time is w/Glass Removed.)			
3. Pillar, Outer, exc.		C5ZZ 6502516-7A	★★2.0	8.75
	Convertible	C5ZZ 7602536-7A	★★2.0	13.30
(#Time is w/Glass Removed.)				
4. Pillar, Inner, exc.		C5ZZ 6502508-9A	★2.0	7.45
	Convertible	C5ZZ 7602508-9A	★2.0	9.40
5. Panel & Hinge Pillar		C5ZZ 6502042-3A	#	34.60
	(#★6.0 w/Door & Fender Removed.)			
6. Panel Assy., Instrument	1965 Standard Trim	C5ZZ 6504320A	#	64.90
	Luxury Trim	C6ZZ 6504320A	#	64.90
	1966	C6ZZ 6504320A	#	64.90
(#★5.0, exc. w/Hinge Pillar or Roof Removed ★3.0)				
Door, Glove Box	1965 Textured Steel	C5ZZ 6506024A	★.3	13.70
	Camera Case Finish	C5ZZ 6506024E	★.3	13.70
1965-66 Wood Grain		C5ZZ 6506024D	★.3	15.85
1966 Textured Steel		C6ZZ 6506024A	★.3	13.35

Cont'd.

FORD

FEBRUARY 1, 1968

COWL and DASH ,Cont'd.

Dash Panel				
1965 exc.		C5ZZ 6501605A	47.50	
Conv.		C5ZZ 7601605A	47.50	
1966		C5ZZ 6501605A	47.50	
Pad, Safety				
1964-65	Blue	C6ZZ 6504290AFB	.7	47.10
	Red	C5ZZ 6504290AFD	.7	47.10
	Black	C5ZZ 6504290AFA	.7	47.10
	Gold	C5ZZ 6504290AFE	.7	47.10
	Palomino	C5ZZ 6504290AFC	.7	47.10
1966	Blue	C6ZZ 6504290BAD	.7	47.10
	Burgundy	C6ZZ 6504290BAC	.7	47.10
	Emberglo	C6ZZ 6504290BAH	.7	47.10
	Aqua	C6ZZ 6504290BAG	.7	47.10
	Ivory Gold	C6ZZ 6504290BAF	.7	47.10
	Palomino	C6ZZ 6504290BAE	.7	47.10
	Black	C6ZZ 6504290BAB	.7	47.10

ROCKER PANEL

Refinish	*1.0		
Cut & Splice under Door	*2.5		
R&R			
w/Hinge Pillar Rem.	*3.5		
w/Lock Pillar Rem.	*3.5		
w/Both Pillars Rem.	*3.0		
Panel Assy.	R/H	C5ZZ 6510128A	*4.0 47.10
	L/H	C5ZZ 6510129A	*4.0 14.05
Moulding		C5ZZ 6510176-7A	.4 11.15
Plate, Scuff, exc.		C5ZZ 6513208A	.3 3.65
Convertible		C5ZZ 7613208B	.3 3.80

SEAT GUIDES

Track Assy., Manual			
Bucket Seat		C5ZZ 6561704-5D	.5 3.65
Full Width		C5ZZ 6561704-5C	.5 3.65

FRONT DOOR

Refinish O.S.	*2.0	
Jams, Add	*.5	
R&I Door Assy.	.5	
R&I Trim Panel	.3	



Door Assembly			
1965	R/H	C5ZZ 6520124B	*3.0 93.75
	L/H	C5ZZ 6520125B	*3.0 93.75
1966		C5ZZ 6520124-5B	*3.0 93.75
Repair Panel		C5ZZ 6520200-1A	*4.5 32.25
Lock Assembly		C4SZ 6321812-3C	.4 8.45
Striker Plate		C2OZ 6222008B	.3 .95
Cylinder & Keys		C5OZ 6221984A	.6 1.95
Handle, Outside		C4DZ 6222404-5A	.5 3.80
Button & Guide		C4DZ 6222454A	1.95
Weatherstrip		C5ZZ 6520530-1A	.5 5.20
Hinge Assy., Upper		C5ZZ 6522800A-1B	.5 5.20
Lower		C5ZZ 6522810-1B	.5 7.35
Handle, Inside			
1965	Before 3-8-65	C3AZ 6222600B	.2 2.15
1965-66	Standard Trim	C5ZZ 6522600B	.2 1.95
	Luxury Trim	C5ZZ 6522600-1A	.2 4.20
Mirror, Remote Control		C5ZZ 17682B	14.05
Kit, Accent Stripe	(See Fender Moulding)		

VENT GLASS & PARTS

Glass (Car Mfr.)	C	C5ZZ 6521412-3C	.4	6.05
	T	C5ZZ 6521412-3D		6.90
(Glass Co.)	C	V3289-90		5.50
	T			6.25
Weatherstrip, Vent		C5ZZ 6521448-9B	.7	3.35
Frame		C5ZZ 6522204-5A	.7	18.45
Run & Bracket Assy.		C5ZZ 6521538-9A	.6	2.45
Weatherstrip, Div. Bar		C5ZZ 6521450A		.76
Handle		C3OZ 6222916-7A	.2	1.40

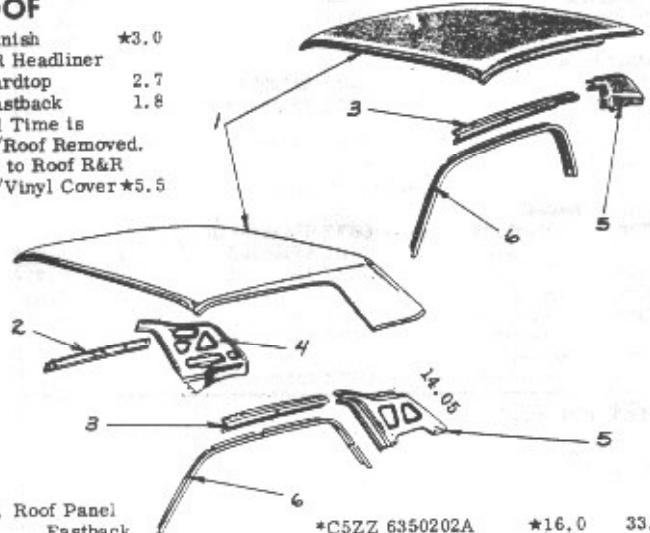
FRONT DOOR, Cont'd.

DOOR GLASS & PARTS

Glass (Car Mfr.)			
Fastback	C	C5ZZ 6321410-1A	1.0 27.10
	T	C5ZZ 6321410-1B	30.45
Hardtop	C	C5ZZ 6521410-1A	1.0 24.50
	T	C5ZZ 6521410-1B	27.55
Convertible	C	C5ZZ 7621410-1A	1.0 26.00
	T	C5ZZ 7621410-1B	29.30
Glass (Glass Co.)			
Fastback	C	D3330-1	1.0 24.65
	T		27.70
Hardtop	C	D3295-6	1.0 22.25
	T		25.05
Convertible	C	D3291-2	1.0 23.65
	T		26.65
Frame, Door Window			
Fastback		C5ZZ 6322220-1A	*2.0 11.55
Hardtop		C5ZZ 6522220-1A	*2.0 11.55
Convertible		C5ZZ 7622220-1A	*2.0 11.25
Channel & Heater Retainer Assy.			
1965		C5ZZ 6521458B-9A	7.15
1966		C5ZZ 6521458-9B	7.15
Regulator	Before 3-8-65	C5ZZ 6523202-3A	.4 8.10
	From 3-8-65	C5ZZ 6523202-3B	.4 10.65
Handle, Reg.	Before 3-8-65	C4SZ 6330322A	.2 2.30
	From 3-8-65	C5ZZ 6530322B	.2 2.30

ROOF

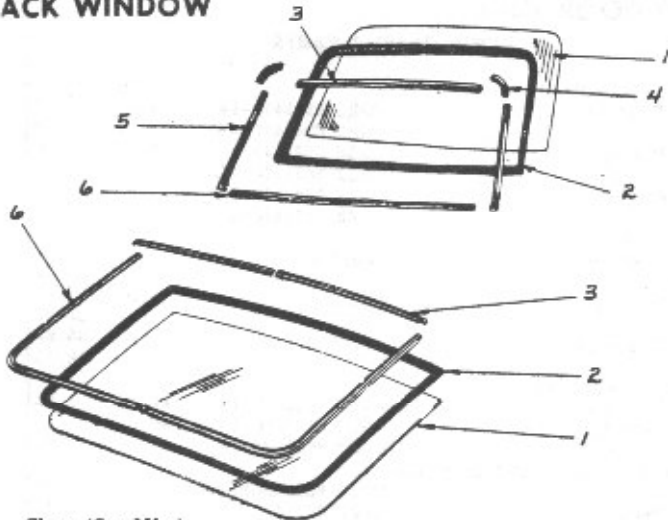
Refinish	*3.0	
R&R Headliner	2.7	
Hardtop	1.8	
Fastback		
Rail Time is		
w/Roof Removed.		
Add to Roof R&R		
w/Vinyl Cover	*5.5	



1. Roof Panel			
Fastback		*C5ZZ 6350202A	*16.0 33.15
Hardtop		*C5ZZ 6550202A	*17.0 69.85
(*Less Silencer and Ornamentation Holes.)			
Rail Assy., Roof Side			
2. Inner Frt.	Fastback	C5ZZ 6351180-1A	*1.0 3.40
	Hardtop	C5ZZ 6551180-1A	*1.0 3.40
3. Outer Frt.	Fastback	C5ZZ 6351186-7A	*1.5 6.05
	Hardtop	C5ZZ 6551186-7A	*1.5 5.55
4. Inner Rear	Hardtop		
	Before 3-1-65	R/H C5ZZ 6551212B	*1.0 10.30
	L/H	C5ZZ 6551213A	*1.0 10.30
	From 3-1-65	C5ZZ 6551212-9B	*1.0 10.30
5. Outer Rear	Fastback	C5ZZ 6351216-7A	*1.5 5.70
	Hardtop	C5ZZ 6551216-7A	*1.5 5.70
6. Drip Trough			
Fastback		C5ZZ 6351700-1A	# 4.10
Hardtop		C5ZZ 6551700-1B	# 3.20
(*R&R Section above Door *1.5 w/Major Repair. R&R Complete w/Roof Removed *2.0)			
Weatherstrip, Side Rail			
Fastback		C5ZZ 6351222-3C	.4 8.80
Hardtop		C5ZZ 6551222-3C	.4 4.20
Moulding, Drip Finish			
Fastback		C5ZZ 6351726-7A	.2 3.60
Hardtop		C5ZZ 6551726-7B	.2 2.55
Ornament, w/Vinyl Cover		C5ZZ 65517A56-7A	.4 6.10
Vinyl Cover (Basic No.)		C5ZZ 6553700	*10.3 79.20
(*Includes Remove Windshield & Back Window. Add .3 to Replace Any (1) Pad if Required)			

Cont'd.

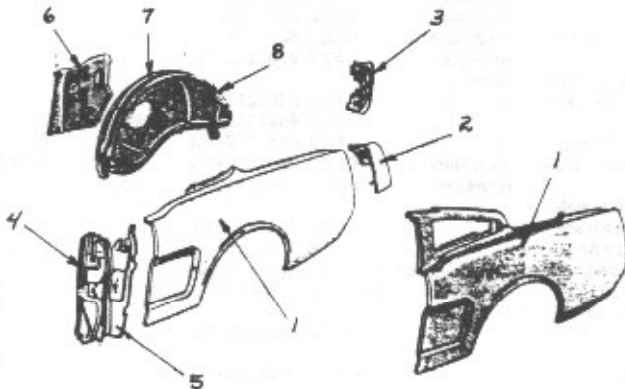
ACK WINDOW



Glass (Car Mfr.)				
Fastback	T	C5ZZ 6342006B	2.3	111.00
Hardtop	C	C5ZZ 6542006A	1.3	49.85
	T	C5ZZ 6542006B		55.75
Glass (Glass Co.)				
Fastback	T	B3332	2.3	100.90
Hardtop	C	B3299	1.3	45.30
	T			50.70
Weatherstrip				
Fastback		C5ZZ 6342084A		8.00
Hardtop		C5ZZ 6542084A		8.00
Frame, Upper				
Fastback		C5ZZ 6342220A	**1.5	10.70
Hardtop		C5ZZ 6542220A	**1.5	10.70
		(#w/Roof Removed.)		
Moulding, Reveal				
Top	Fastback	C5ZZ 6342430-1A		2.25
	Hardtop	C5ZZ 6542430A	.2	3.15
Corner	Hardtop	C5ZZ 6542376A		.71
Side	Hardtop	C5ZZ 6542492-3A	.2	1.55
Lower	Fastback	C5ZZ 6342404-5A		3.82
	Hardtop	C5ZZ 6542404A	.2	3.35
Moulding, Garnish				
Upper	Fastback	C5ZZ 6342410A-B		3.40

ARTER PANEL

inish	*2.5
Trim Panel	
l exc.	.3
Conv.	.4
F/Back	.7
Quarter	
/Roof Rem.	*10.0



Panel, Quarter				
Fastback		C5ZZ 6327846-7A	*13.5	81.55
Hardtop		C5ZZ 6527846-7B	*12.5	71.45
Convertible		C5ZZ 7627846-7B	*11.5	71.45

QUARTER PANEL, Cont'd.

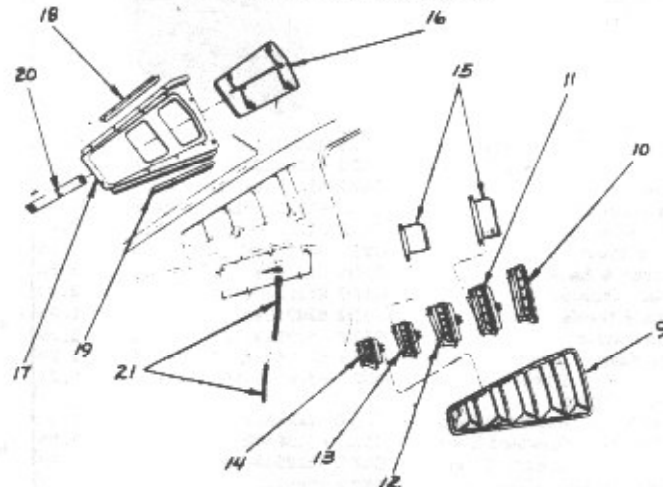
2. Extension, Upper Rear		C5ZZ 6527702-3A	*.3	7.20
3. Extension, Lower Rear		C5ZZ 6528058-9A		3.50
4. Pillar Assy., Lock				
Fastback		C5ZZ 6328160-1A	#	5.65
H. T. & Conv.		C5ZZ 6528160-1A	#	5.50
		(*4.0, exc. w/Quarter Removed	*2.0)	
5. Reinf., Lock Side				
Fastback		C5ZZ 6328200-1A	*1.0	3.65
H. T. & Conv.		C5ZZ 6528200-1A	*1.0	3.55
6. Panel, Regulator				
Hardtop		C5ZZ 6527870-1A	*2.0	10.15
Convertible		C5ZZ 7627870-1A	*2.0	11.90
Panel, Wheelhouse				
7. Inner		C5ZZ 6527886-7B	*1.5	13.05
8. Outer		C5ZZ 6527894-5A	*1.5	12.70
Reinf., Wheelhouse Inner				
Convertible		C5ZZ 7627798-9A		2.75

GLASS & HARDWARE

Glass					
(Car Mfr.)	H. T.	C	C5ZZ 6529710-1A	1.0	9.25
		T	C5ZZ 6529710-1B		10.20
	Conv.	C	C5ZZ 7629710-1A	1.0	8.60
		T	C5ZZ 7629710-1B		9.45
(Glass Co.)	H. T.	C	Q3297-8	1.0	8.40
		T			9.25
	Conv.	C	Q3293-4	1.0	7.80
		T			8.60
Channel Assy., Top & Side					
Hardtop			C5ZZ 6529962-3A		6.95
Convertible			C5ZZ 7629962-3A		6.95
Channel Assy., Lower					
Hardtop			C5ZZ 6529958-9A		26.10
Convertible			C5ZZ 7629958-9A		26.10
Regulator			C5ZZ 6530306-7A	.5	10.40
Handle, Regulator					
Before 3-8-65			C4SZ 6330322A	.2	2.30
From 3-8-65			C5ZZ 6530322B	.2	2.30
Ornament, Outside Rear					
1965			C5ZZ 65290A76-7A	*.8	3.95
1966			C6ZZ 65290A76-7A	*.8	4.35

Kit, Accent Stripe (See Fender Moulding)

AIR EXTRACTOR & PARTS



9. Grille Assy.		C5ZZ 63280B62-3A	*.4	12.00
10. Bezel Assy.	No. 1	C5ZZ 63278C00-1A	#	6.50
	No. 2	C5ZZ 63278C06-7A	#	7.05
	No. 3	C5ZZ 63278C04-5A	#	6.85
	No. 4	C5ZZ 63278C08-9A	#	6.50
	No. 5	C5ZZ 63278C02-3A	#	6.20
		(*R&R One or All	*.6)	
15. Baffle, Inner Front		C5ZZ 63278C54-5A		.55
15. Baffle, Inner Rear		C5ZZ 63278C56-7A		.55
16. Door Assy.		C5ZZ 63278C16-7A	*.4	4.40
17. Plate Assy., Mounting		C5ZZ 63278C28-9A		11.35
18. Guide, Door		C5ZZ 63278C24A		2.50
19. Track, Door		C5ZZ 63278C22A		2.50
20. Handle, Door		C5ZZ 63278C20-1A		2.75
21. Hose, Grille Drain		C5ZZ 63278C14A		1.05

Cont'd.

FEBRUARY 1, 1968

FORD

LUGGAGE LID

Refinish Lid *2.0



Deck Lid	Fastback	C5ZZ 6340110A	*1.0	54.60
	H. T. & Conv.	C5ZZ 6540110A	*1.0	54.60
Bar, Torsion				
	Fastback	C5ZZ 6344890B	.2	1.60
	Hardtop	C5ZZ 6544890-1C	.2	1.95
	Conv.			
	Before 7-15-64	C5ZZ 7644890-1A	.2	1.50
	From 7-15-64	C5ZZ 7644890-1A	.2	1.50
Hinge Assy.				
	Fastback	R/H C5ZZ 6342700C	.4	5.85
		L/H C5ZZ 6342701A	.4	6.00
	H. T. & Conv.	C4DZ 6242700B	.4	5.55
Lock Assy.		C2OZ 6243200B	.3	5.80
Cyl. & Keys	Before 8-20-64	C5ZZ 6243505A	#.3	2.15
	From 8-20-64 to 9-1-65	C5ZZ 6243505B	#.3	2.15
	From 9-1-65	C5ZZ 6243505C	#.3	2.15
	(#Add .3 to Code Lock.)			
Striker Plate, exc.		C5ZZ 6543235A	.2	3.95
	Convertible	C5ZZ 7643235A	.2	4.05
Weatherstrip, exc.		C0MB 6443720C	.5	4.20
	Fastback	C5ZZ 6343720A	.5	3.35

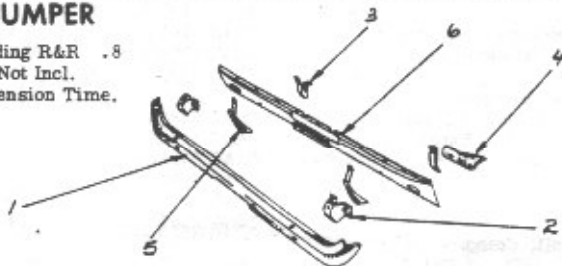
FUEL TANK



Tank Assy.		C5ZZ 9002D	1.0	26.60
Pipe, Filler		C5ZZ 9034B	.2	2.85
Gauge, Tank Unit		C5ZZ 9275D	.5	8.20
Cap, Gas	1965	C5ZZ 9030B		4.55
	1966 Std.	C6ZZ 9030A		4.55
	GT	C6ZZ 9030B		5.65

REAR BUMPER

O/H Including R&R .8
Does Not Incl.
Extension Time.



1. Face Bar		C5ZZ 17906A	.8	30.85
2. Bracket		C5ZZ 17B876-7A		1.20
3. Arm		C5ZZ 17A750A		1.45
4. Arm, Welded to Floor Pan				
	Convertible Only	C5ZZ 17B862-3A		1.35
5. Guard		C5ZZ 17984C	.3	4.40
6. Extension, Lower Back Panel (2)				
	Before 9-1-64	C5ZZ 6540544B	#	11.50
	From 9-1-64	C5ZZ 6540544B	#	11.50
	w/Dual Exhaust	C5ZZ 6540544C	#	11.50
	(*.5 w/Bumper Rem. Cut Holes for B/U Lamps if req. *.5)			

REAR BODY PANEL

Refinish

Upper Panel *1.0
Lower Panel 1.1

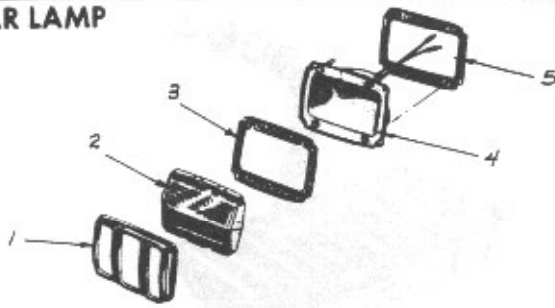


Panel Assy., Upper				
	Fastback	C5ZZ 6340310A		31.80
	Hardtop	Before 3-1-65	C5ZZ 6540310A	16.55
		From 3-1-65	C5ZZ 6540310B	30.90
	Conv.		C5ZZ 7640310B	25.45
Panel, Lower				
		C6ZZ 6540324A	#	17.60
	(*.4.5, exc. w/Quarter Removed *.5)			
Panel, Rear Floor				
	Fastback & H. T.	C5ZZ 6511218-9A		9.15
	Conv.	R/H	C5ZZ 7611218A	9.15
		L/H	C5ZZ 6511219A	9.15
		C5ZZ 6511160C		25.45
Pan, Center Floor				
Trough, Lower Corner				
	Fastback	C5ZZ 6345118-9A	#	2.05
	H. T. & Conv.	C5ZZ 6545118-9A	#	2.00
	(*.1.0, exc. w/Rear Panel Removed *.5)			
Moulding, Belt	Conv.	C5ZZ 76423A18-9A	*.7	7.00

REAR SUSPENSION

Rear Spring (4 Leaf)					
	Exc. Spec.	650 lb. load rate	C5ZZ 5560D	.8 20.40	
		610 lb. load rate	C5ZZ 5560C	.8 20.40	
	Special	650 lb. load rate	C5ZZ 5560E	.8 20.40	
		610 lb. load rate	C5ZZ 5560F	.8 20.40	
Main Leaf, exc.			C5ZZ 5564A	*1.4 11.30	
	Special		C5ZZ 5564B	*1.4 11.30	
Kit, Shackle	1965	Front	C4DZ 5630C	.4 2.25	
		Rear	C4DZ 5630B	.4 3.60	
	1966		C6DZ 5630A	.4 3.35	
Shock Absorber	Regular		C5ZZ 18125C	# 10.30	
	H/Duty		C5ZZ 18125B	# 10.30	
	(#.5, exc. Convertible .4)				
Housing Assy., Axle					
	6 Cyl.		C4DZ 4010G	# 88.45	
	V8	Standard	C4DZ 4010F	# 88.45	
		Special 1965	C5ZZ 4010A	# 77.45	
		1966	C5ZZ 4010B	# 77.45	
	(#w/Integral Carrier 4.2, w/Removable Carrier 2.7)				
Shaft & Bearing Assy.					
	6 Cyl.		C4DZ 4234A-B	.5 23.00	
	V8, exc.		C2OZ 4234-5A	.5 26.95	
		Special	C5OZ 4234B-A	.5 29.65	
Drum Assy.	9" x 1-3/4"		C0DZ 1126C	.4 10.30	
	9" x 2-1/2"		C0DZ 1126B	.4 10.55	
	10" x 2"		C3OZ 1126B	.4 11.25	
Bearing, Wheel	6 Cyl.		C0DZ 1225C	# 8.15	
	V8		B7AZ 1225A	# 9.90	
Oil Seal	6 Cyl.		C1DZ 1177A	# 1.65	
	V8		C1VW 1177A	# .68	
	(#R&R Bearing, Seal and/or Axle .6)				
Plate, Brake Backing					
	1965	9" x 1-1/2"			
		Before 3-1-65	R/H	C4DZ 2211A	*1.1 4.00
			L/H	C4DZ 2212C	*1.1 4.00
		From 3-1-65		C4DZ 2211-2C	*1.1 4.00
		9" x 2-1/4"		C4DZ 2211-2B	*1.1 7.95
		10" x 1-3/4"	R/H	C6OZ 2211D	*1.1 7.95
			L/H	C6OZ 2212D	*1.1 7.95
	1966	9" x 1-1/2"		C6DZ 2211-2A	*1.1 7.95
		10" x 1-3/4"		C6OZ 2211-2D	*1.1 7.95
Hose, Brake					
	6 Cyl.		C5ZZ 2282B	# 3.90	
	V8, exc. 289		C5ZZ 2282A	# 2.75	
		289 4/B w/4 Spd.S/T	C5ZZ 2282D	# 3.90	
		289 4/B Premium Fuel	C5ZZ 2282E	# 3.45	
	(#One .6, Ea. Additional .2, Includes Bleed)				

REAR LAMP



TAIL LAMP

1. Sleeve, Lens	C5ZZ 13489A		3.40
2. Lens	C5ZZ 13450A	.2	1.55
3. Gasket, Rubber	w/Gen. C5ZZ 13461A		.43
	w/Alt. C5ZZ 13461B		.48
4. Body Assy.	w/Gen. C5ZZ 13434A	.3	4.05
	w/Alt. C5ZZ 13434B	.3	4.05
5. Pad, Mounting	C5ZZ 13420A		.35

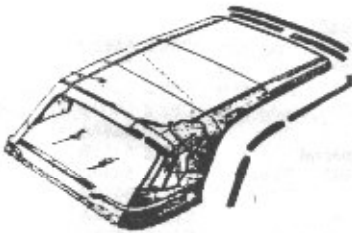
BACK-UP LAMP

Lens	C5ZZ 15514A	.2	.75
Gasket, Lens	C5ZZ 15510A		.22
Body	C5ZZ 15511-2A	.2	5.55

LICENSE LAMP

Body & Socket	C5ZZ 13560A	.3	3.55
Lens	C4AZ 13564A	.2	.45
Door	C5ZZ 13566A		.60
Gasket	C4AZ 13568A		.13

CONVERTIBLE TOP PARTS



Top Assy., Less Trim, Motor & Lifts			
Before 10-22-64	C5ZZ 7653000A	*6.0	355.00
From 10-22-64	C5ZZ 7653000E	*6.0	355.00
Rail Assy., Side Front			
Before 10-15-65	C5ZZ 7653104-5B	*1.0	8.75
From 10-15-65	C6ZZ 7653104-5A	*1.0	8.75
Rail Assy., Center			
Before 8-20-64	C5ZZ 7651154-5A		13.70
From 8-20-64 to 10-22-64			
R/H	C5ZZ 7651154C		13.70
L/H	C5ZZ 7651155B		13.70
Rail Assy., Rear			
Before 4-1-65	C5ZZ 7653138-9A	*2.4	24.30
From 4-1-65	C5ZZ 7653138-9C	*2.4	24.30
Bow Assy.			
Header	C5ZZ 7653038A	*3.0	83.55
No. 2	C5ZZ 7651274C		5.90
No. 3	Before 12-10-64 C5ZZ 7651269C		6.35
	From 12-10-64		
No. 4	From 11-1-65 C5ZZ 7651269C		6.35
	C5ZZ 7651278A		30.70
Link Assy., Top Control			
1965	Before 12-1-64 C5ZZ 7650316-7A		11.55
	From 12-1-64 C5ZZ 7650316-7C		11.55
1966	C5ZZ 7650316-7C		11.55
Link Assy., Top Balance	C5ZZ 7650454-5A		5.80
Bracket, Main Pivot	C5ZZ 7653118-9B		9.50
Extension, Pivot Bracket	C5ZZ 76531A18-9A		1.35
Lift Assy.	C5ZZ 7650600A	.6	21.30

Cont'd.

CONVERTIBLE TOP PARTS ,Cont'd.

Moulding, Back Belt			
Center Outside	C5ZZ 76423A20A	.3	5.65
Side Outside	C5ZZ 76423A18-9A	.2	7.00
Window, Back Curtain			
1965	Before 8-17-64 C5ZZ 7652500AAB	2.0	51.05
	From 8-17-64 to 11-9-64		
	C5ZZ 7652500BAB	2.0	51.05
	From 11-9-64		
	C5ZZ 7652500DAB	2.0	51.05
1966	C5ZZ 7652500DAB	2.0	51.05
Top, Folding, Less Curtain & Bows			
1965	Before 8-17-64		
	Black C5ZZ 7652700AAB	5.0	119.10
	White C5ZZ 7652700AAD	5.0	119.10
	Blue C5ZZ 7652700AAC	5.0	119.10
	From 8-17-64		
	Black C5ZZ 7652700BAB	5.0	119.10
	Tan C5ZZ 7652700BAD	5.0	119.10
	White C5ZZ 7652700BAC	5.0	119.10
1966	Black C5ZZ 7652700BAB	5.0	119.10
	White C5ZZ 7652700BAC	5.0	119.10
Zipper, Back Curtain	C6OZ 7653278AAB		6.95

AIR CONDITIONING

R&R Does Not Include Evacuate & Recharge. Evacuate & Recharge System 1.2

Condenser, Fordaire	C4AZ 19712B	#	45.90
(#6 Cyl. .9, 8 Cyl. .8)			
Dehydrator & Receiver Tank	C4AZ 19959B	.9	18.40
Compressor Assy.	C3AZ 19703E	#	55.30
(#6 Cyl. 1.0, 8 Cyl. .9)			
Clutch Assy.			
6 Cyl. Warner	C5DZ 2884A	.8	68.10
Eaton	C4DZ 2884A	.8	64.85
V8 Warner, Less Coil	C3AZ 2884B	.5	52.30
w/Coil	C2AZ 2884C	.5	52.30
Eaton	C3AZ 2884A	.5	52.30
Pitts	C4OZ 2884A	.5	52.30
Belt, Comp.			
1965	6 Cyl. C4DZ 8650E	#	3.25
	V8 Before 8-20-64 C2OZ 8620L	#	2.70
	From 8-20-64 C5ZZ 8620A	#	3.40
1966	6 Cyl. C4DZ 8620D	#	2.55
	V8 *C6ZZ 8620A	#	3.55
	**C5ZZ 8620A	#	3.40
(#One Belt .2, Two Belts .3, Three Belts .4)			
(*w/Smog Control System - **w/o Smog Control System)			
Hose Assembly	-	-	Not Serviced.

MODEL IDENTIFICATION

64-65



1966



	STD. TRIM (Bucket Seat)	LUXURY TRIM (Bucket Seat)	BENCH SEAT
2 + 2 Fastback	63A	63B	
Tudor Hardtop	65A	65B	65C
Tudor Convertible	76A	76B	76C